



AN ISO 9001 : 2008 CERTIFIED CO.

SYMBOL OF QUALITY

Pioneers In Solderless Terminals,
Crimping Tools & Cable Glands



DOWELL'S BRASS CABLE GLANDS & ACCESSORIES

House of Designers & Makers of Terminals,
Tools & Cable Glands Since 1961

Contents

Description	Page No.
1. Technical Specification	3
2. Double Compression Armoured Cable Glands	4
3. Double Compression Un-Armoured Cable Glands	5
4. Single Compression Cable Glands	6
5. SIBG Heavy Duty Cable Glands	7
6. Flange Type Cable Glands	8
7. PG Type Cable Glands	8
8. BW Type Cable Glands	9
9. CW Type Cable Glands	10
10. Shrouds	11
11. Earth Tag	11

Type Test Reports

TEST CERTIFICATE

038498

Government of India
NATIONAL TEST HOUSE (Western region)
P.O. No. P-18, B.E.C.C., Near Anand (S), Mumbai - 400003

Issued to: M/s. Dowell's Cable Accessories Pvt. Ltd.
Address: Plot No. 41/1, Road No. 40, Park Road Area, GIDC, Surajpur, 382455, Gujarat, India.

Customer's Ref. No.: DC/AP/INTERNAL LETTER/2017-18 Dated: 17/08/2017

Register No. & Date: MS/INT/IN/REG/1/30/09/2017

Description of the test item: Dowell's Double compression waterproof Cable for Armoured Cable.

Identification of the test item: Dowell's cat. No.: DCP-00200 (2000-20)

Product Specification(s): IS 8121:Part 1:1988

Date of receipt of test item: 26/08/2017

Date of performance of Test: From: 26/08/2017 To: 09/09/2017

Method used for Test Sampling Procedure when relevant: In accordance with IS 8121:Part 1:1988

Checked by: [Signature] Approved by: [Signature]

18358

TEST CERTIFICATE

038499

Government of India
NATIONAL TEST HOUSE (Western region)
P.O. No. P-18, B.E.C.C., Near Anand (S), Mumbai - 400003

Issued to: M/s. Dowell's Cable Accessories Pvt. Ltd.
Address: Plot No. 41/1, Road No. 40, Park Road Area, GIDC, Surajpur, 382455, Gujarat, India.

Customer's Ref. No.: DC/AP/INTERNAL LETTER/2017-18 Dated: 17/08/2017

Register No. & Date: MS/INT/IN/REG/1/30/09/2017

Description of the test item: Dowell's Double compression waterproof Cable for Armoured Cable.

Identification of the test item: Dowell's cat. No.: DCP-00200 (2000-20)

Product Specification(s): IS 8121:Part 1:1988

Date of receipt of test item: 26/08/2017

Date of performance of Test: From: 26/08/2017 To: 09/09/2017

Method used for Test Sampling Procedure when relevant: In accordance with IS 8121:Part 1:1988

Checked by: [Signature] Approved by: [Signature]

18361

TEST CERTIFICATE

038501

Government of India
NATIONAL TEST HOUSE (Western region)
P.O. No. P-18, B.E.C.C., Near Anand (S), Mumbai - 400003

Issued to: M/s. Dowell's Cable Accessories Pvt. Ltd.
Address: Plot No. 41/1, Road No. 40, Park Road Area, GIDC, Surajpur, 382455, Gujarat, India.

Customer's Ref. No.: DC/AP/INTERNAL LETTER/2017-18 Dated: 17/08/2017

Register No. & Date: MS/INT/IN/REG/1/30/09/2017

Description of the test item: Dowell's Double compression waterproof Cable for Armoured Cable.

Identification of the test item: Dowell's cat. No.: DCP-00200 (2000-20)

Product Specification(s): IS 8121:Part 1:1988

Date of receipt of test item: 26/08/2017

Date of performance of Test: From: 26/08/2017 To: 09/09/2017

Method used for Test Sampling Procedure when relevant: In accordance with IS 8121:Part 1:1988

Checked by: [Signature] Approved by: [Signature]

18363

TEST CERTIFICATE

038502

Government of India
NATIONAL TEST HOUSE (Western region)
P.O. No. P-18, B.E.C.C., Near Anand (S), Mumbai - 400003

Issued to: M/s. Dowell's Cable Accessories Pvt. Ltd.
Address: Plot No. 41/1, Road No. 40, Park Road Area, GIDC, Surajpur, 382455, Gujarat, India.

Customer's Ref. No.: DC/AP/INTERNAL LETTER/2017-18 Dated: 17/08/2017

Register No. & Date: MS/INT/IN/REG/1/30/09/2017

Description of the test item: Dowell's Double compression waterproof Cable for Armoured Cable.

Identification of the test item: Dowell's cat. No.: DCP-00200 (2000-20)

Product Specification(s): IS 8121:Part 1:1988

Date of receipt of test item: 26/08/2017

Date of performance of Test: From: 26/08/2017 To: 09/09/2017

Method used for Test Sampling Procedure when relevant: In accordance with IS 8121:Part 1:1988

Checked by: [Signature] Approved by: [Signature]

18361

TEST CERTIFICATE

038500

Government of India
NATIONAL TEST HOUSE (Western region)
P.O. No. P-18, B.E.C.C., Near Anand (S), Mumbai - 400003

Issued to: M/s. Dowell's Cable Accessories Pvt. Ltd.
Address: Plot No. 41/1, Road No. 40, Park Road Area, GIDC, Surajpur, 382455, Gujarat, India.

Customer's Ref. No.: DC/AP/INTERNAL LETTER/2017-18 Dated: 17/08/2017

Register No. & Date: MS/INT/IN/REG/1/30/09/2017

Description of the test item: Dowell's Double compression waterproof Cable for Armoured Cable.

Identification of the test item: Dowell's cat. No.: DCP-00200 (2000-20)

Product Specification(s): IS 8121:Part 1:1988

Date of receipt of test item: 26/08/2017

Date of performance of Test: From: 26/08/2017 To: 09/09/2017

Method used for Test Sampling Procedure when relevant: In accordance with IS 8121:Part 1:1988

Checked by: [Signature] Approved by: [Signature]

18365

TEST CERTIFICATE

038496

Government of India
NATIONAL TEST HOUSE (Western region)
P.O. No. P-18, B.E.C.C., Near Anand (S), Mumbai - 400003

Issued to: M/s. Dowell's Cable Accessories Pvt. Ltd.
Address: Plot No. 41/1, Road No. 40, Park Road Area, GIDC, Surajpur, 382455, Gujarat, India.

Customer's Ref. No.: DC/AP/INTERNAL LETTER/2017-18 Dated: 17/08/2017

Register No. & Date: MS/INT/IN/REG/1/30/09/2017

Description of the test item: Dowell's Double compression waterproof Cable for Armoured Cable.

Identification of the test item: Dowell's cat. No.: DCP-00200 (2000-20)

Product Specification(s): IS 8121:Part 1:1988

Date of receipt of test item: 26/08/2017

Date of performance of Test: From: 26/08/2017 To: 09/09/2017

Method used for Test Sampling Procedure when relevant: In accordance with IS 8121:Part 1:1988

Checked by: [Signature] Approved by: [Signature]

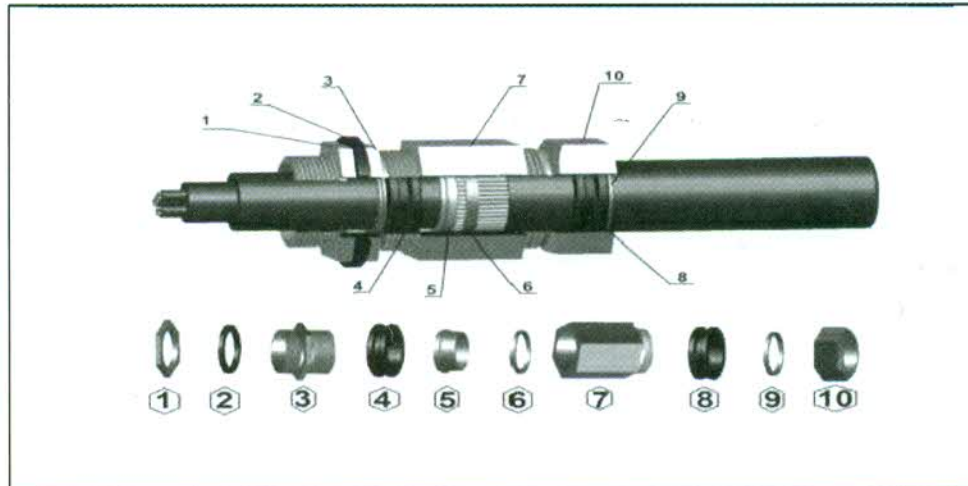
18362

DOUBLE COMPRESSION CABLE GLANDS



AN ISO 9001 : 2008 CERTIFIED CO.

TECHNICAL SPECIFICATION



TECHNICAL DATA

- Material :- Brass As Per IS - 319 Standard, Also Available in (Aluminium/M.S. & S.S. 304/316)
- Finish :- Bright Nickel Plated, Also (Tin/Cadmium/Chrome)
- Entry Threads :- BSC/ET, Also (PG/Metric/NPT/BSP)
- Sealing Ring :- Neoprene/Nitrile/Natural Rubber
- Reference Standard :- BS-6121, IEC 60079-1 : 2007 for Flame Proof
- Ingress Protection :- IP-67 as per IEC 60529 : 2001

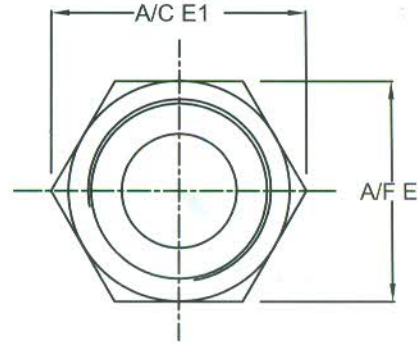
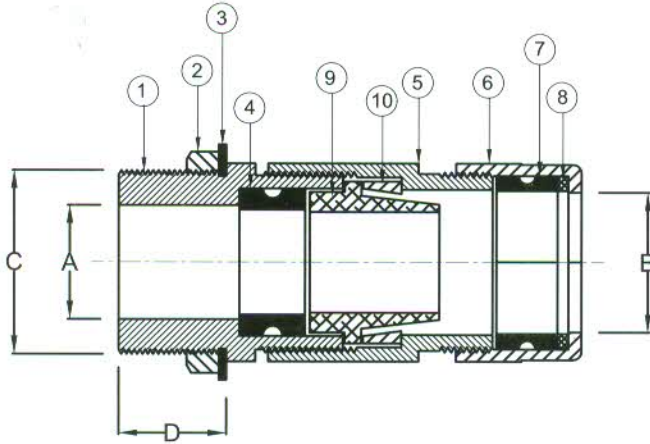
APPLICATION

- Weather Proof Glands are used in regular climatic conditions, Which are Water Proof and Dust Proof (IP-67).
- Flame Proof Glands are generally used in hazardous area, as well as in normal climatic condition Which are Water Proof and Dust Proof (IP-67).

FITTING SEQUENCE

- Insert Part No. 10, 9,8 and 7 respectively on the outer sheath of the cable before exposing the armour.
- After removing outer sheath of the cable, insert part No. 6 over the exposed armour.
- Insert part No. 5 under the armour through inner sheath of the cable, cut the armour as per the length of part 5.
- Squeeze the armour between part No. 5 and 6 by moving both towards each other.
- Insert part No. 3 & 4 and fix it with part No.7.
- Finally Apply the spanner and tight part No. 3 and 10 with 7.
- Fix the gland assembly to enclosure form one side and part no. 1 from another side if the entry thread is not provided in enclosure.

DOUBLE COMPRESSION BRASS CABLE GLANDS (for ARMoured CABLE)



SUITABLE OVER ALL DIAMETER	DBW SERIES	D (mm)	DBF SERIES	D (mm)	A (mm)	B (mm)	C (inch)	E A/F	E1 A/C
6.0 - 12.0	DBW - 01SS	13	DBF - 01SS	25	12.5	13.0	3/4"	21.0	24.0
12.0 - 16.5	DBW - 01S	15	DBF - 01S	25	14.5	18.0	3/4"	25.0	29.0
16.5 - 18.5	DBW - 01	15	DBF - 01	25	14.5	19.0	3/4"	27.5	31.5
16.5 - 18.5	DBW - 01A	15	DBF - 01A	25	14.5	19.0	1"	27.5	31.5
18.5 - 20.0	DBW - 02	15	DBF - 02	25	18.0	21.0	1"	30.0	34.5
18.5 - 20.0	DBW - 02A	15	DBF - 02A	25	14.5	21.0	3/4"	30.0	34.5
20.0 - 23.0	DBW - 03	15	DBF - 03	25	19.0	23.5	1"	31.5	36.0
23.0 - 26.0	DBW - 04	15	DBF - 04	25	20.5	27.0	1"	36.0	41.5
23.0 - 26.0	DBW - 04A	15	DBF - 04A	25	22.0	27.0	1.1/4"	36.0	41.5
26.0 - 30.0	DBW - 05	15	DBF - 05	25	25.5	31.0	1.1/4"	41.0	47.0
26.0 - 30.0	DBW - 05A	15	DBF - 05A	25	27.0	31.0	1.1/2"	41.0	47.0
30.0 - 33.0	DBW - 06	15	DBF - 06	25	31.0	34.5	1.1/2"	47.0	54.0
30.0 - 33.0	DBW - 06A	15	DBF - 06A	25	27.0	34.5	1.1/4"	47.0	54.0
33.0 - 37.0	DBW - 07	15	DBF - 07	25	32.0	38.0	1.1/2"	50.0	57.0
37.0 - 41.0	DBW - 08	15	DBF - 08	25	38.5	42.5	2"	56.0	64.0
41.0 - 46.0	DBW - 09	15	DBF - 09	25	40.0	47.0	2"	59.0	67.0
46.0 - 52.0	DBW - 010	20	DBF - 010	25	44.0	53.0	2"	67.0	77.0
46.0 - 52.0	DBW - 010A	20	DBF - 010A	25	48.0	53.0	2.1/2"	67.0	77.0
52.0 - 54.0	DBW - 011A	20	DBF - 011A	25	51.0	57.0	2.1/2"	72.0	83.0
54.0 - 61.0	DBW - 011	20	DBF - 011	25	56.5	62.0	2.1/2"	80.0	92.0
61.0 - 66.0	DBW - 012	20	DBF - 012	25	64.0	68.0	3"	85.0	98.0
66.0 - 72.0	DBW - 013A	20	DBF - 013A	25	67.0	73.0	3"	89.0	103.0
72.0 - 78.0	DBW - 013	20	DBF - 013	25	74.0	80.0	3.1/4"	99.0	113.0
78.0 - 84.0	DBW - 014	20	DBF - 014	25	78.0	85.0	3.1/2"	105.0	121.0
84.0 - 94.0	DBW - 015	20	DBF - 015	25	90.5	97.0	4"	114.0	132.0
94.0 - 104.0	DBW - 016	20	DBF - 016	25	101.0	106.0	4.1/2"	130.0	149.0

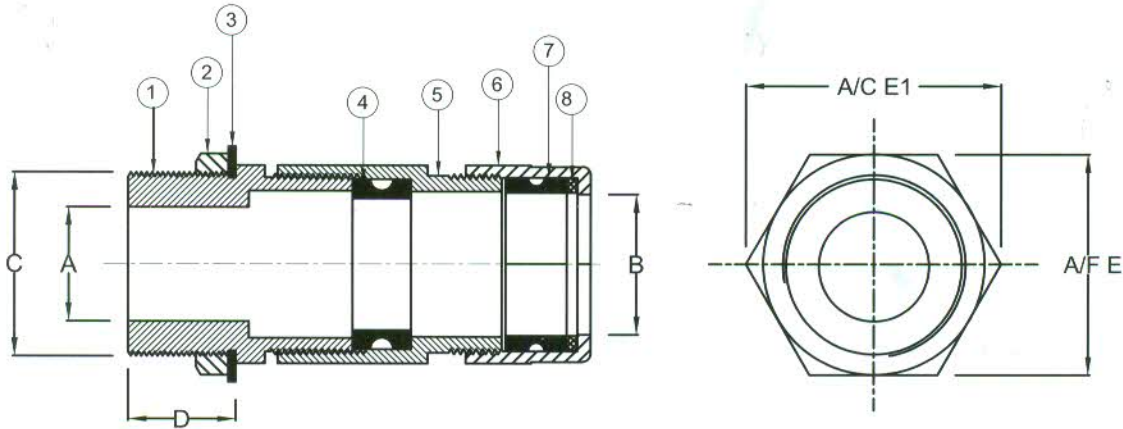
NOTE :

- (DBW - Weather Proof Series) (DBF - Flame Proof Series)

DOUBLE COMPRESSION BRASS CABLE GLANDS (for UNARMoured CABLE)



AN ISO 9001 : 2008 CERTIFIED CO.



SUITABLE OVER ALL DIAMETER	DOWELL'S CATLOGUE NO.	A (mm)	B (mm)	C (inch)	D (mm)	E A/F	E1 A/C
06 - 12.5	DBW - 01SS (UN)	13.0	13.0	3/4"	15.0	21.5	24.5
12.6 - 14	DBW - 01S (UN)	14.5	14.5	3/4"	15.0	25.0	28.7
14.1 - 17	DBW - 01A (UN)	18.0	18.0	1"	15.0	27.4	31.4
17.1 - 19	DBW - 02 (UN)	20.0	20.0	1"	15.0	30.0	35.0
19.1 - 22	DBW - 03 SP (UN)	23.0	23.0	28mm	15.0	31.0	36.0
22.1 - 25	DBW - 04A (UN)	26.0	26.0	1.1/4"	15.0	37.0	43.0
25.1 - 29	DBW - 05A (UN)	30.0	30.0	1.1/2"	15.0	41.0	47.0
29.1 - 32	DBW - 06 SP (UN)	33.0	33.0	40mm	15.0	46.0	53.0
32.1 - 35	DBW - 07 SP (UN)	36.0	36.0	42mm	15.0	50.0	57.0
35.1 - 40	DBW - 08 (UN)	41.0	41.0	2"	15.0	56.0	64.0
40.1 - 43	DBW - 09 (UN)	44.0	44.0	2"	15.0	58.0	66.0
43.1 - 51	DBW - 010A (UN)	52.0	52.0	2.1/2"	20.0	65.0	75.0
51.1 - 59	DBW - 011 SP (UN)	60.0	60.0	70mm	20.0	79.0	90.0
59.1 - 65	DBW - 012 (UN)	66.0	66.0	3"	20.0	84.5	96.0
65.1 - 71	DBW - 013 (UN)	72.0	72.0	3.1/4"	20.0	89.0	102.0
71.1 - 79	DBW - 014 (UN)	80.0	80.0	3.1/2"	20.0	104.0	121.0
79.1 - 89	DBW - 015 (UN)	90.0	90.0	4"	20.0	115.0	135.0

SR. NO.	PARTICULARS	MATERIAL	NOS.	SR. NO.	PARTICULARS	MATERIAL	NOS.
1.	NIPPLE	BRASS	1	6.	COMPRESSION NUT	BRASS	1
2.	CHECK NUT	BRASS	1	7.	OUTER SEAL	NEOPRENE/NITRILE	1
3.	GASKET	NEOPRENE/NITRILE	1	8.	WASHER	NYLON	1
4.	INNER SEAL	NEOPRENE/NITRILE	1	9.	CONE	BRASS	1
5.	GLAND BODY	BRASS	1	10.	CONE RING	BRASS	1

NOTE :

- Tolerances :- +/- 2 mm
- Raw Material :- Brass As Per IS-319 (Alu./S.S./M.S./ Also Available).
- Finish :- Bright Nickel Plated (Also Tin/Chrome/Cadmium).
- Entry Thread :- BSC/ET
- Standard :- As Per BS-6121.

WE RESERVE THE RIGHTS AT ANY TIME TO MAKE ANY SPECIFICATION OR DIMENSIONAL CHANGES DEEMED NECESSARY TO ENSURE ADVANCEMENT IN THE DESIGN OR MANUFACTURE OF ANY PRODUCT

